



SollegaTM



www.Sollega.com

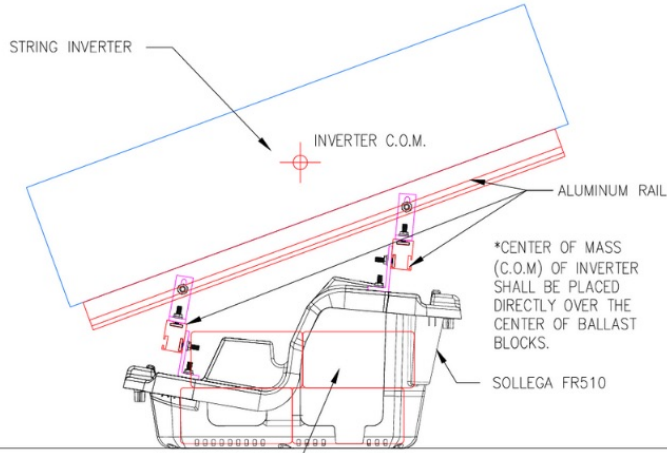


(415) 648-1299



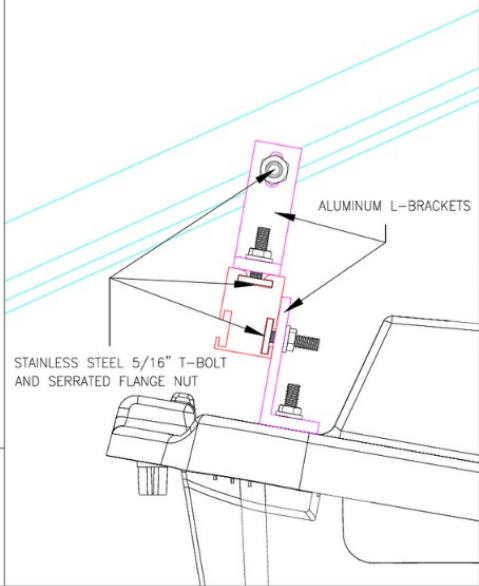
info@sollega.com

1 BALLASTED INVERTER MOUNT – SIDE
S5.0 NTS

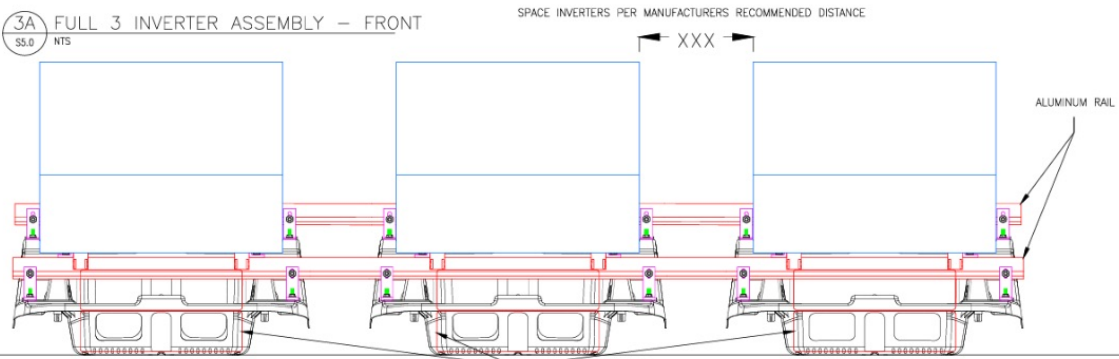


(4) 32.5 LB. BALLAST BLOCKS (4x8x16") IN EACH FASTRACK510

2 RAIL / L-BRACKET CONNECTION
S5.0 NTS

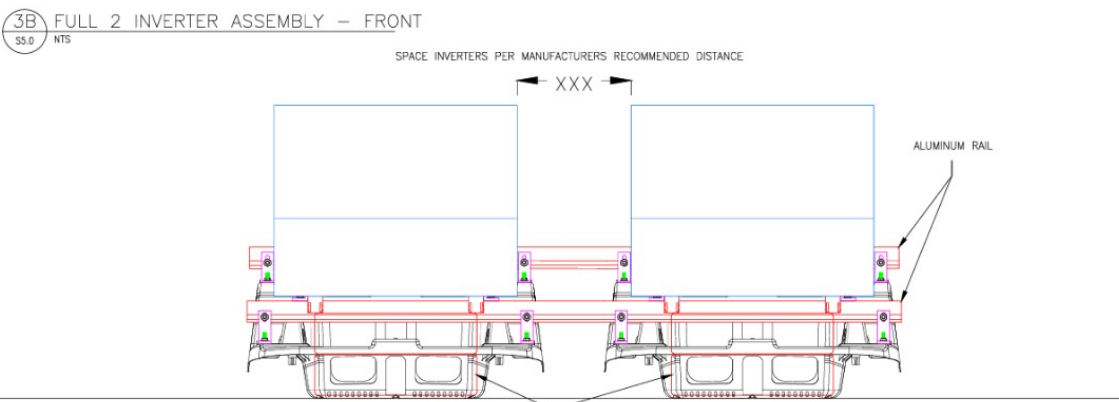


3A FULL 3 INVERTER ASSEMBLY – FRONT
S5.0 NTS



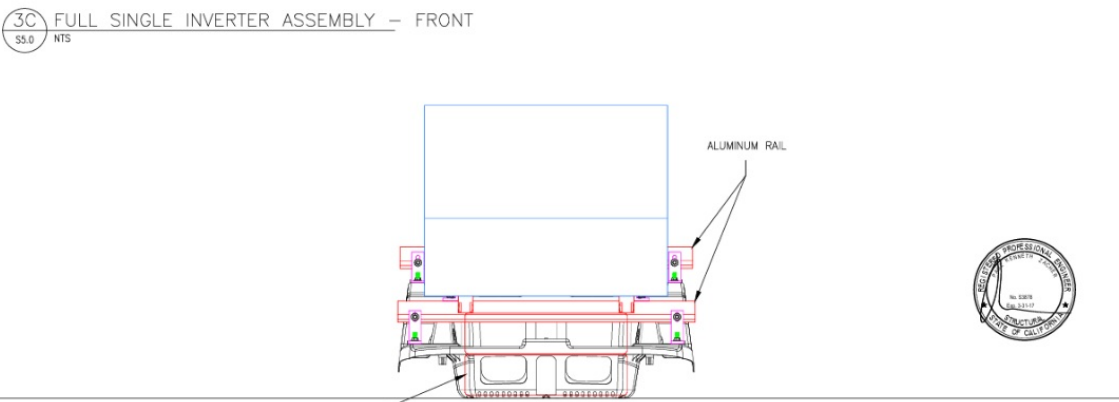
(4) 32.5 LB. BALLAST BLOCKS (4x8x16") IN EACH FASTRACK510

3B FULL 2 INVERTER ASSEMBLY – FRONT
S5.0 NTS



(4) 32.5 LB. BALLAST BLOCKS (4x8x16") IN EACH FASTRACK510

3C FULL SINGLE INVERTER ASSEMBLY – FRONT
S5.0 NTS



(4) 32.5 LB. BALLAST BLOCKS (4x8x16") IN EACH FASTRACK510



Sollega String Inverter Mount: Unattached Mount Detail

