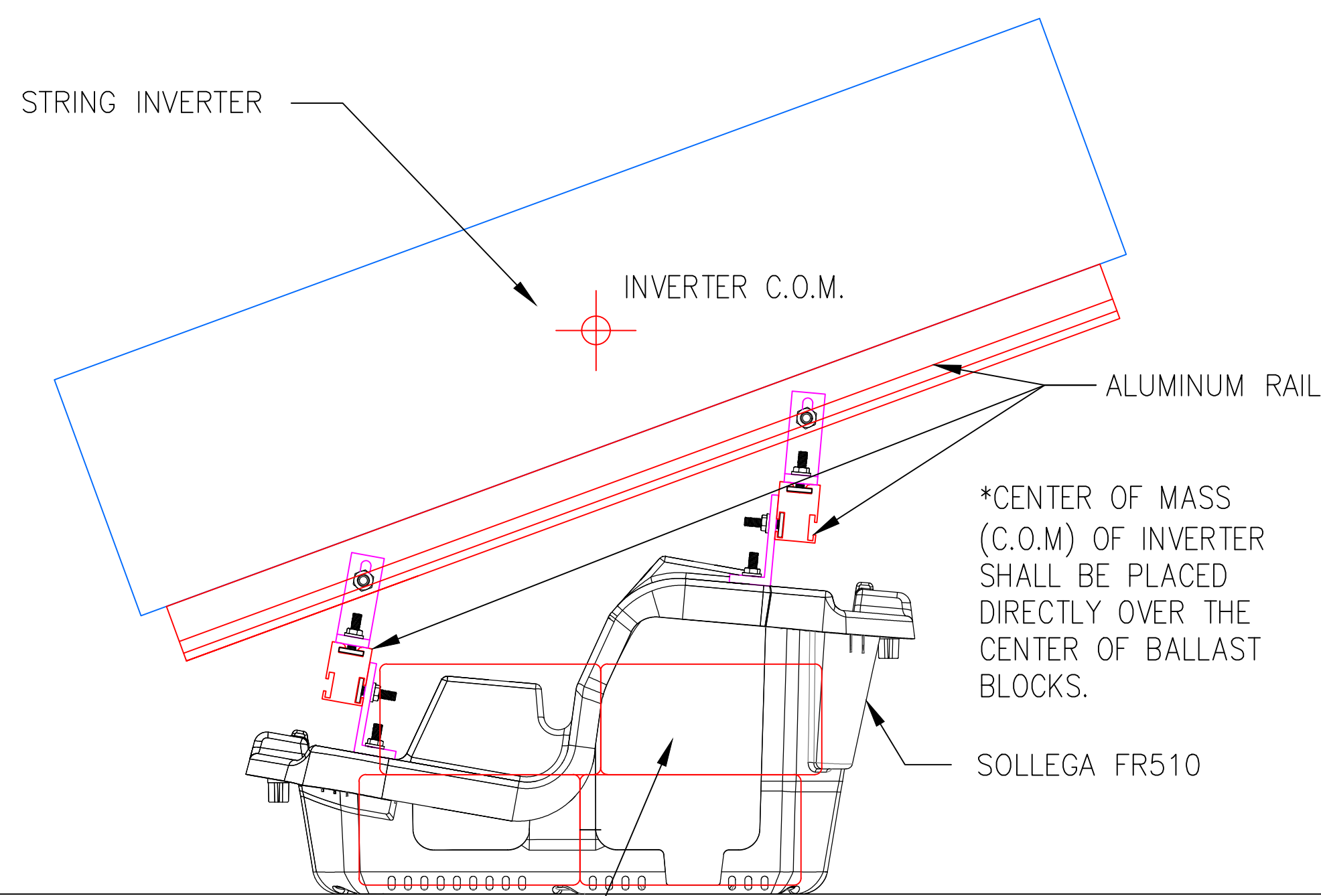
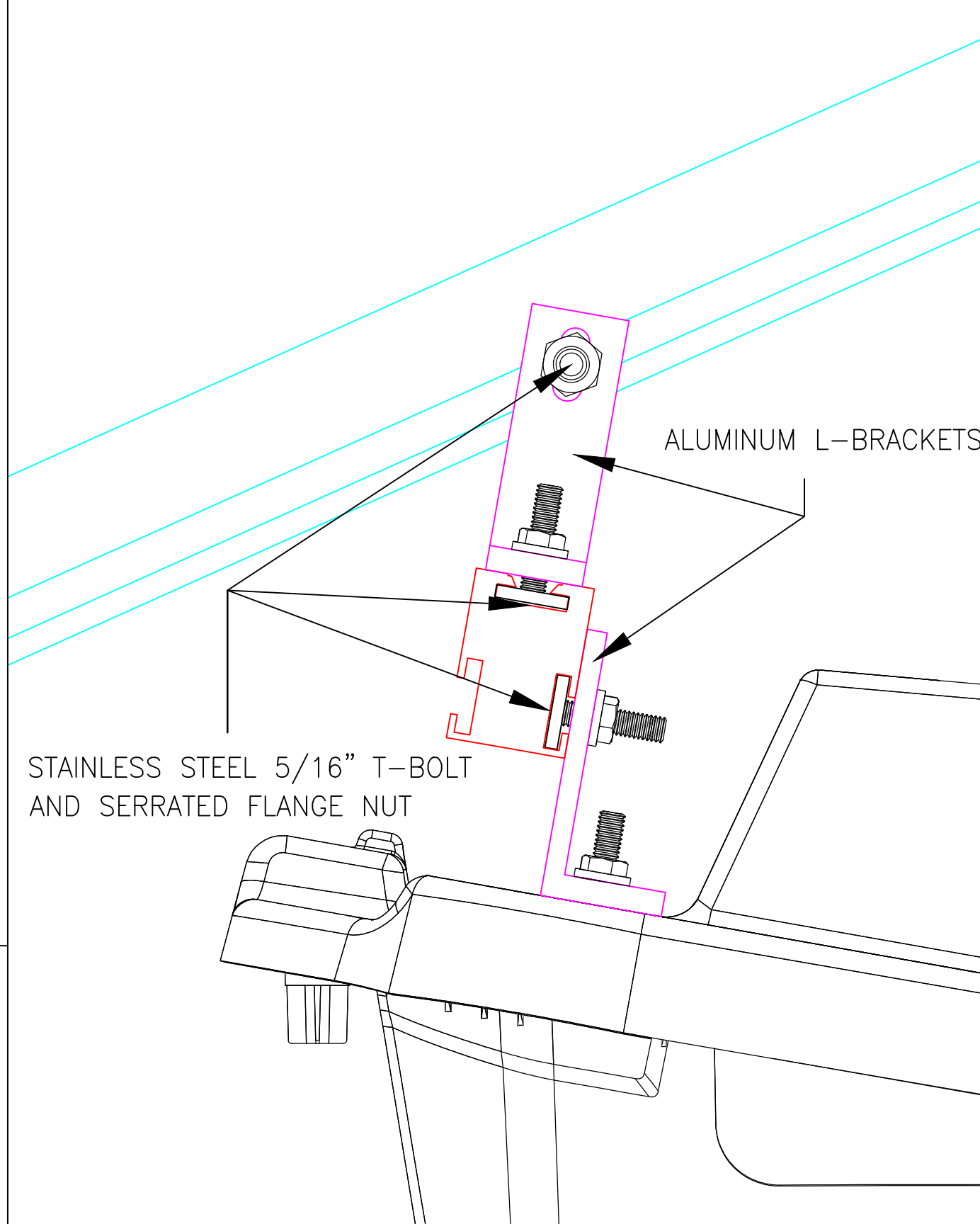


1 BALLASTED INVERTER MOUNT – SIDE  
S5.0 NTS

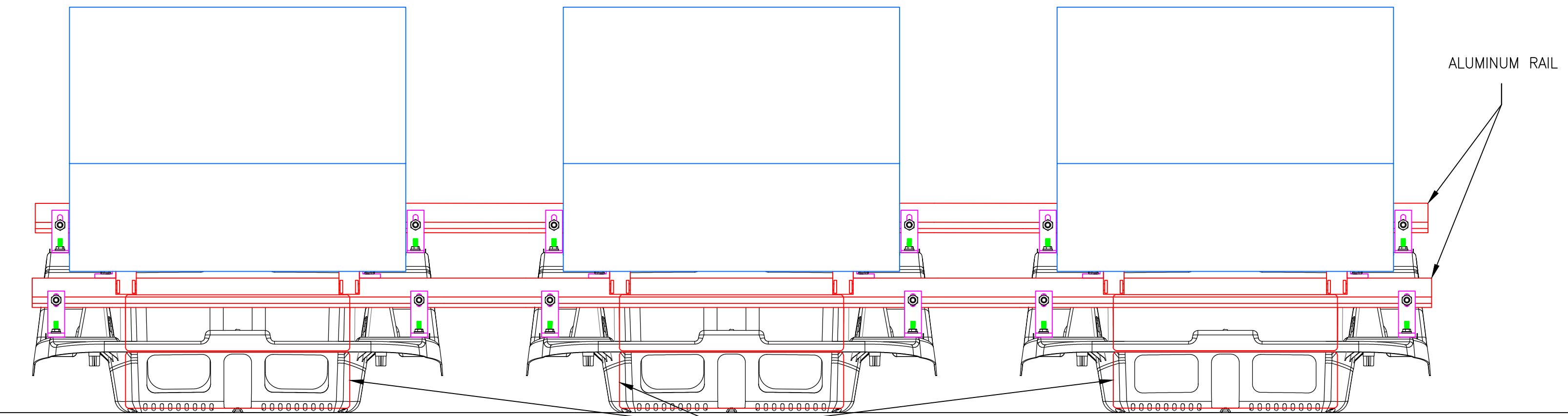


(4) 32.5 LB. BALLAST BLOCKS (4x8x16") IN EACH FASTRACK510

2 RAIL / L-BRACKET CONNECTION  
S5.0 NTS

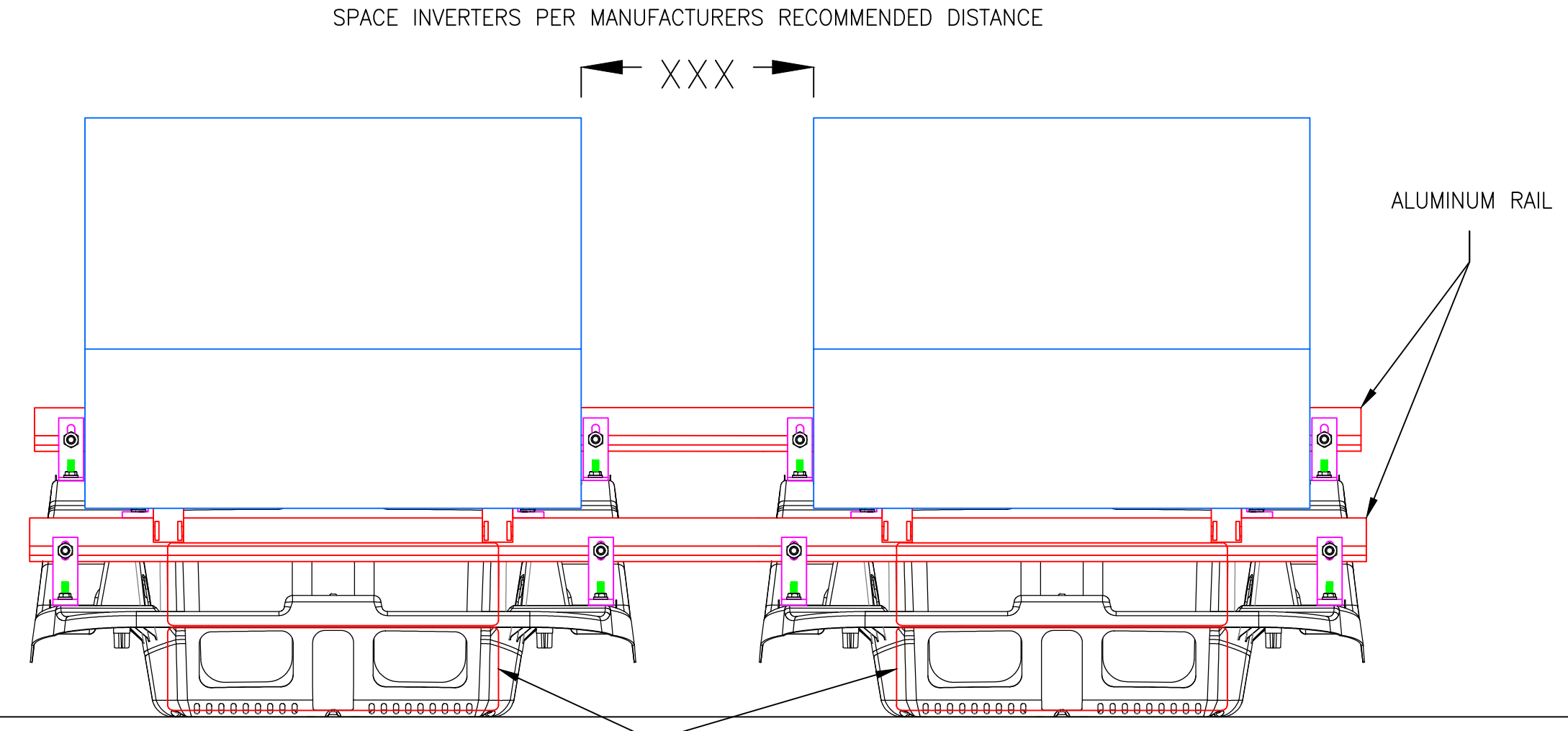


3A FULL 3 INVERTER ASSEMBLY – FRONT  
S5.0 NTS



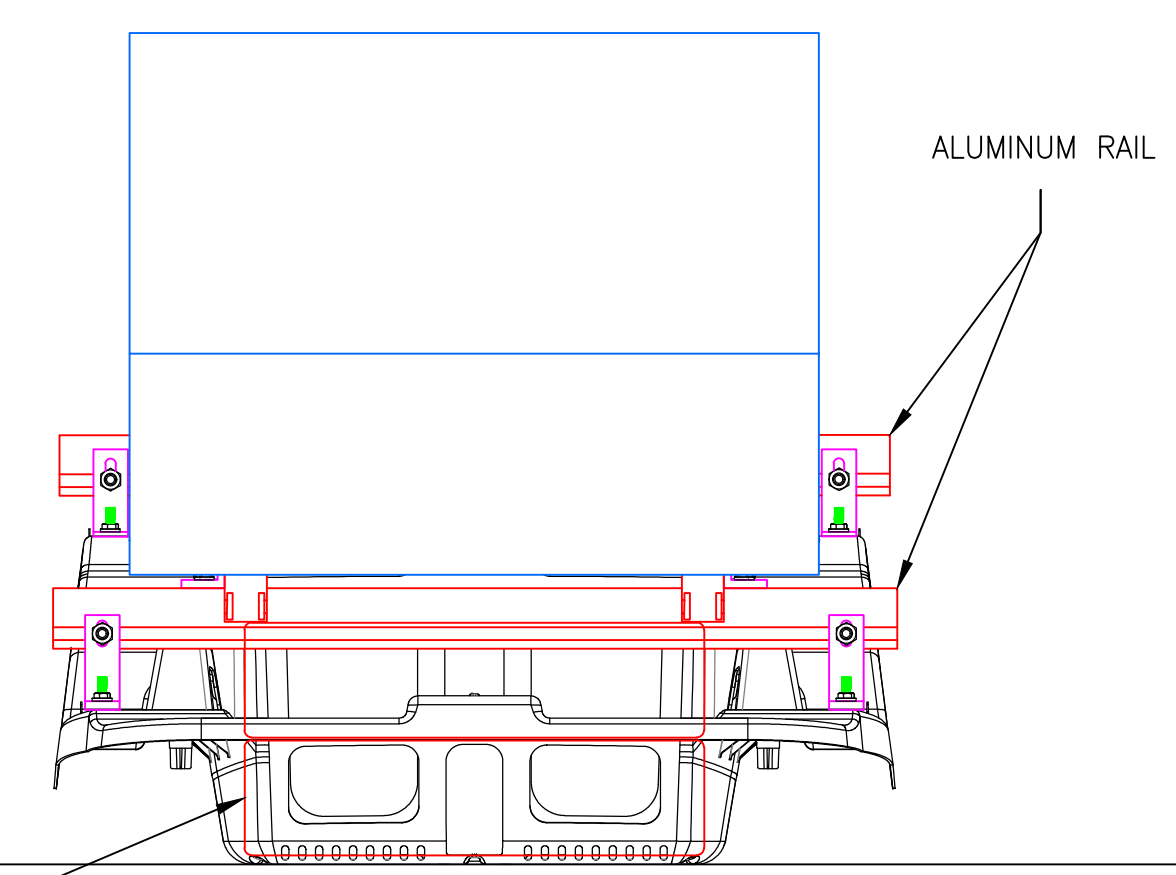
(4) 32.5 LB. BALLAST BLOCKS (4x8x16") IN EACH FASTRACK510

3B FULL 2 INVERTER ASSEMBLY – FRONT  
S5.0 NTS



(4) 32.5 LB. BALLAST BLOCKS (4x8x16") IN EACH FASTRACK510

3C FULL SINGLE INVERTER ASSEMBLY – FRONT  
S5.0 NTS



(4) 32.5 LB. BALLAST BLOCKS (4x8x16") IN EACH FASTRACK510



PROJECT INFO	Location	Location
	Installer	Installer
	Main Contact	Main Contact
	Email	Email
	Phone	Phone

DRAWING INFO.	
Date & Time	2/23/2017 12:12 PM
Prepared/Approved by	JC LR
Sheet Name	S3.0