



FastRack510[™]

The simple solar racking solution for flat roof or ground mount PV installations.

- 5°, 6°, 10° mounting solution
- Simple, modular, one piece design
- Universal design compatible with all framed modules
- Fully ballasted, heat welded, anchored and hybrid options
- Roof friendly with round edges and low point loads
- One size bolt with all top down connections
- Injection molded UV rated Nylon6
- PE stamp engineering and ballast layout services available
- UL 2703 Class "A" Type 1, 2, 3,29 Modules
- UL 3741 - PV Hazard Control
- 100% Recyclable
- Made in the U.S.A.

Easy to install:

① Position FastRacks

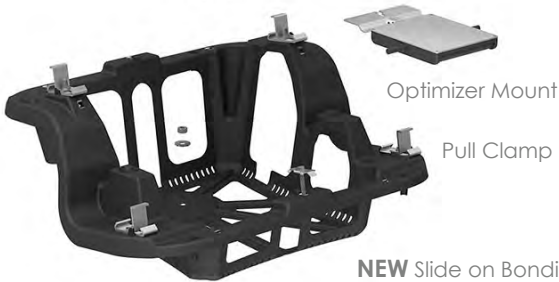
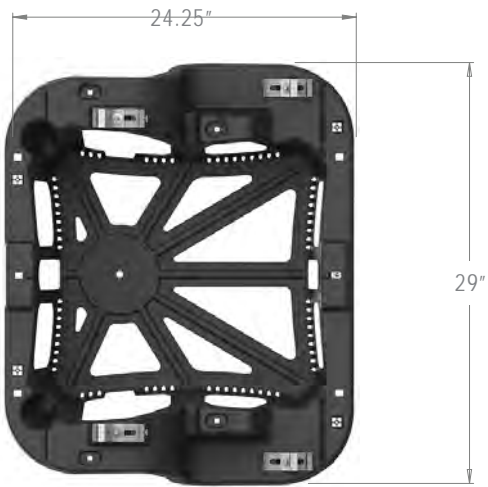


② Add Ballast and Clamps



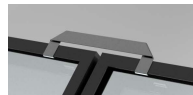
③ Attach Modules





Pull Clamp (FR-PC-A) / End Clamp (FR-EC 30-50mm sizes available)

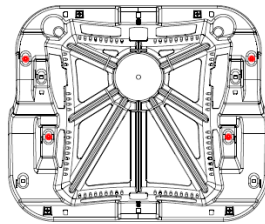
NEW Slide on Bonding Jumper (FR-SBJ)



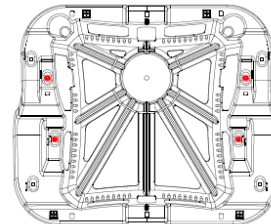
FastRack 510 (10° Shown)

Tilt Angle	5°	6°	10°
Row Spacing	10" (254 mm)	8" (203mm)	13" (330 mm)
Leading Edge	8" (203 mm)	8" (203 mm)	5.3" (135 mm)
Compatible Modules	All framed modules 31" - 44" in width (787 mm and 1117 mm)		
Weight	4.5 lbs. (2 kg)		
Ballast Requirements	4" x 8" x 16" Roof Paver (31.5 lbs each) based on ASTM Designation C1491 - 01a.		
Material	Injection molded UV rated Nylon6		
Module Orientation	Landscape		
Wind Load Criteria	Meets ASCE 7-16 up to 165 mph		
UL Certification	UL 1703: Class 'A' Type 1,2,3,29Modules, UL2703,UL3741		
Warranty	25 Year Limited Warranty		
Dimensions	(LxWxH) 24.25 x 29 x 14" 616 x 737 x 356mm		
Disassembly	Simple disassembly and 100% recyclable content		
Patent	Utility Patent #9,831,817 Design Patent #D800,055		

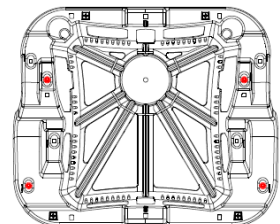
Bolt Location



5° (10" Inter-row)



6° (8" Inter-row)



10° (13" Inter-row)