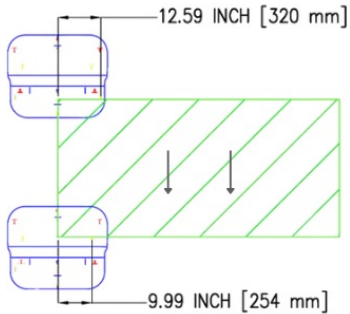
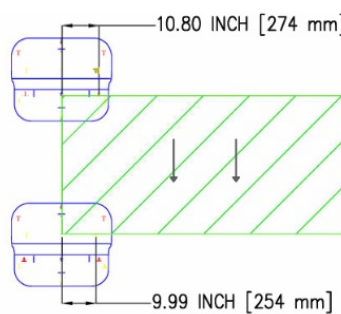


FR510-6dg (5° PANEL TILT)

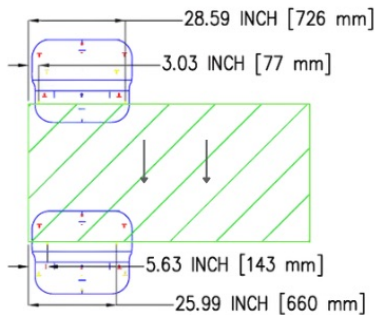
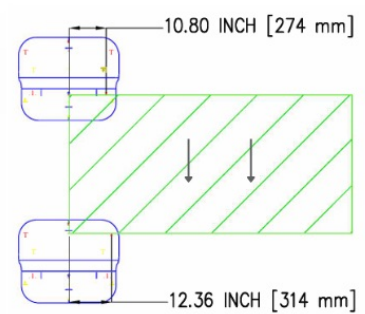


Represents an interior Panel

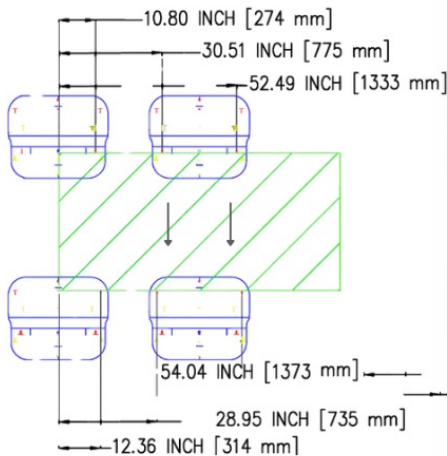
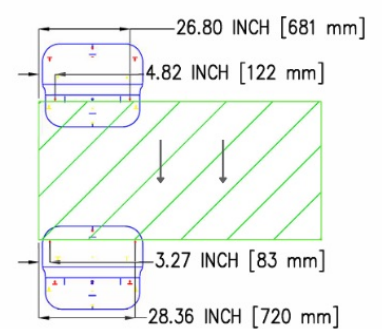
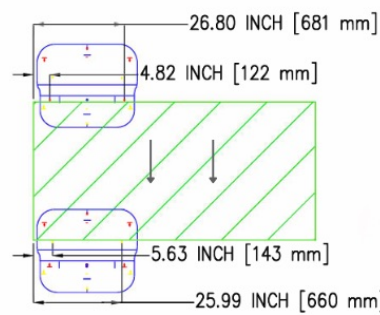
FR510-6dg (6° PANEL TILT)



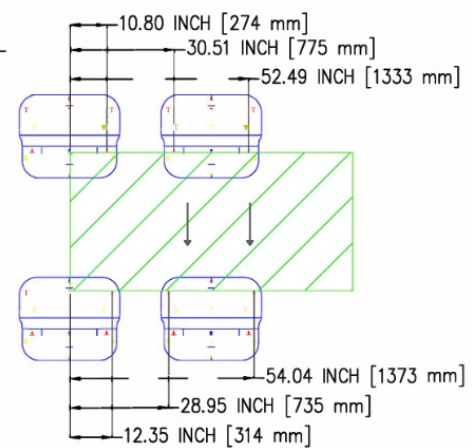
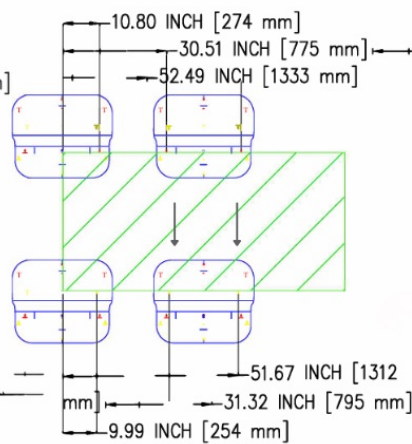
FR510-6dg (10° PANEL TILT)



Represents a Panel on the E/W Edge of a row (Tucked under Panel)



Represents an additional mid-bucket for large-format panels and high wind & snow load requirements



Sollega™ FastRack510-6dg™

Clamp Locations for 5°, 6°, & 10°

