

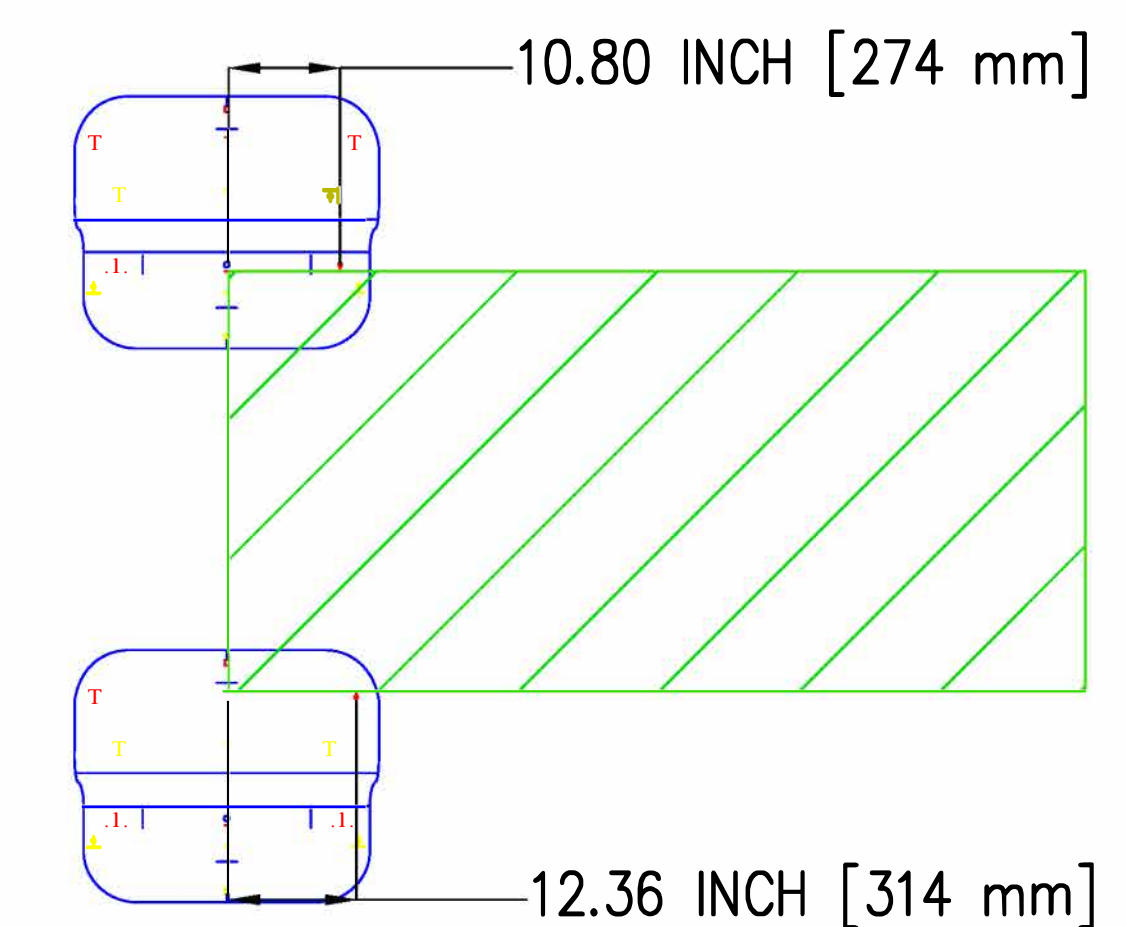
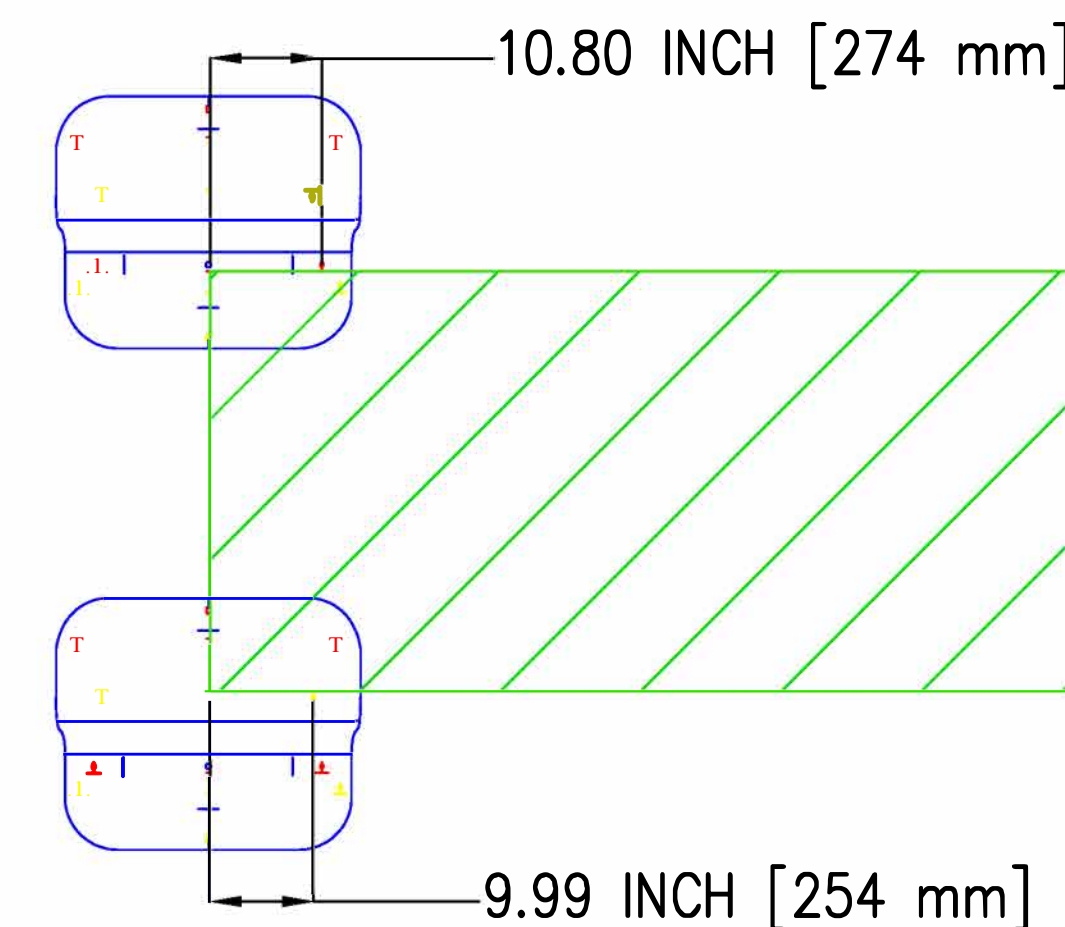
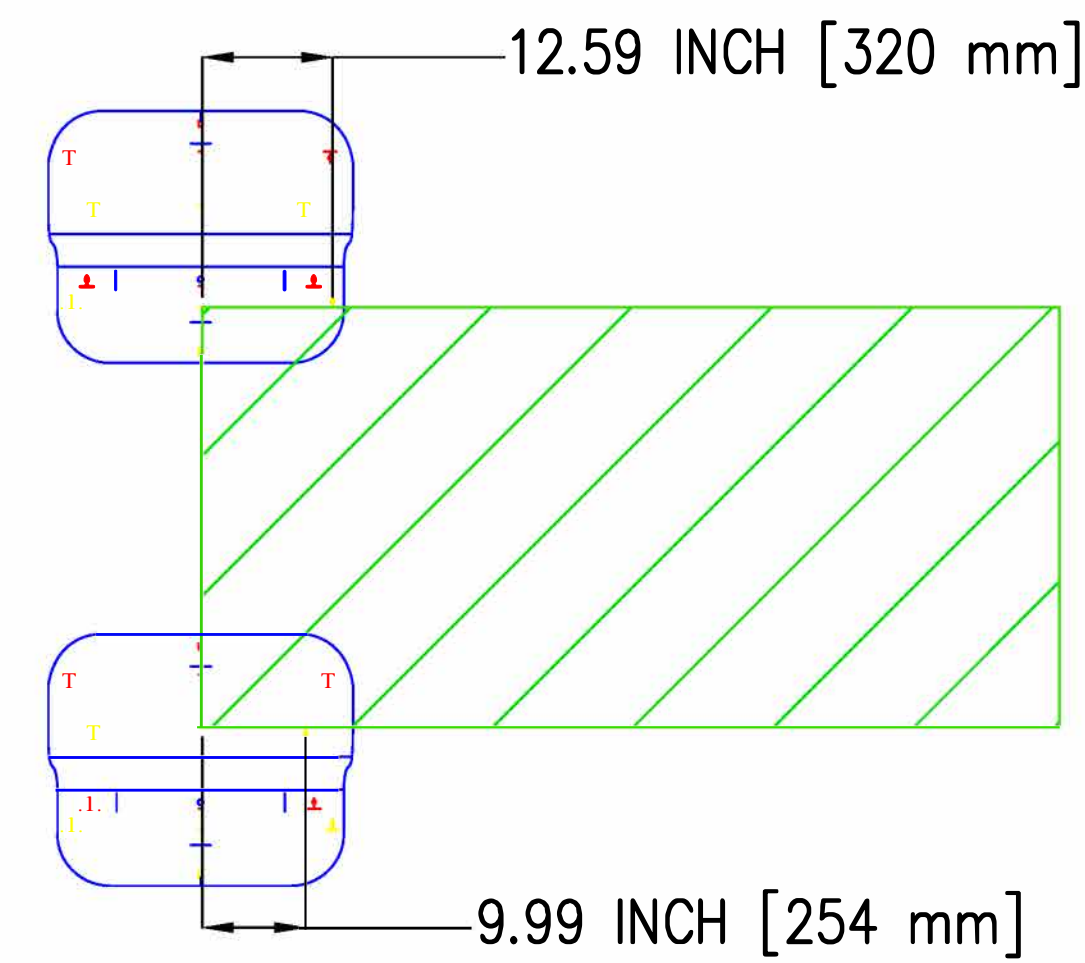
SOLLEGA FASTRACK510 CLAMP LOCATIONS FOR 5°, 6° AND 10°

FR510-5 (5° PANEL TILT)

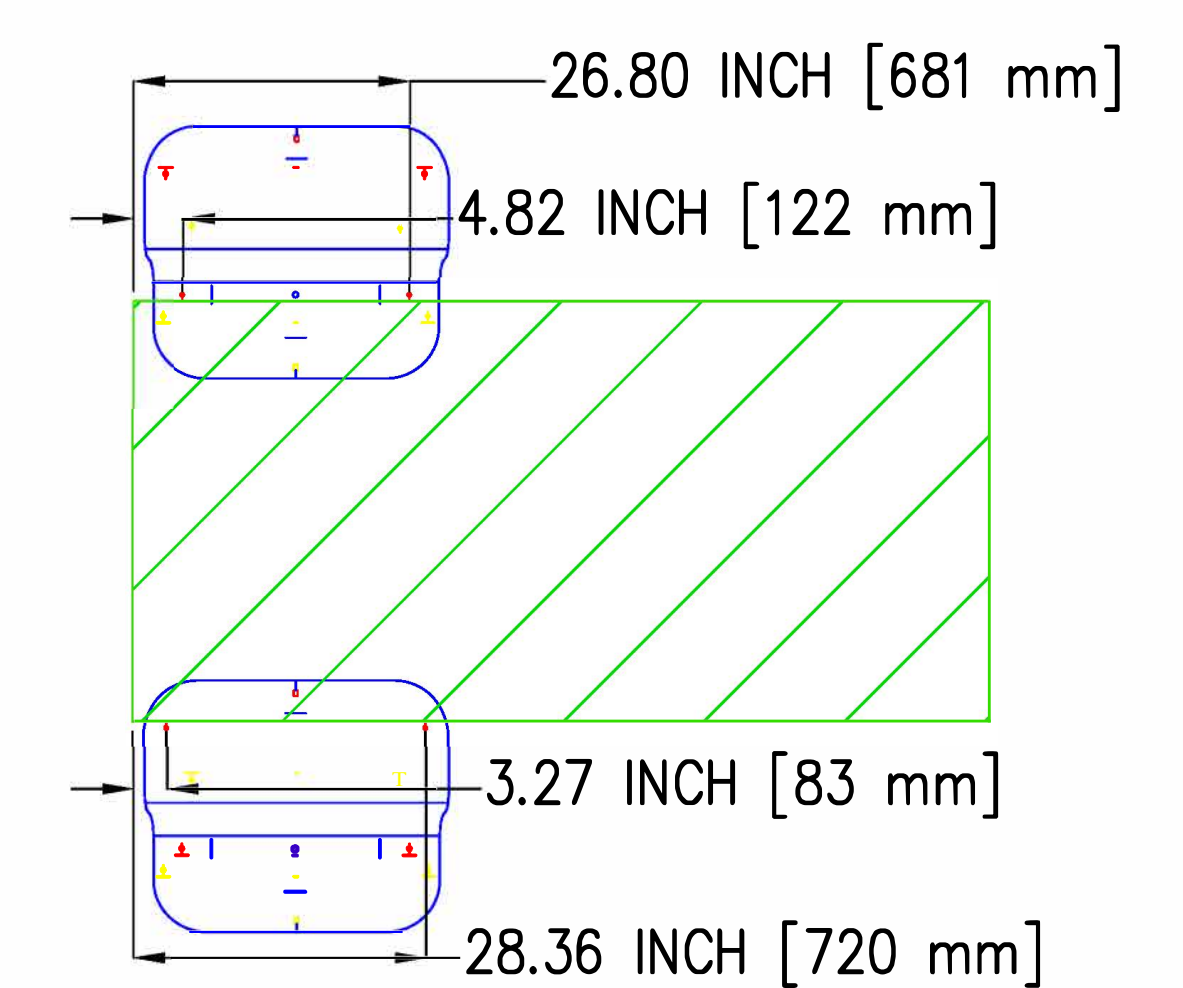
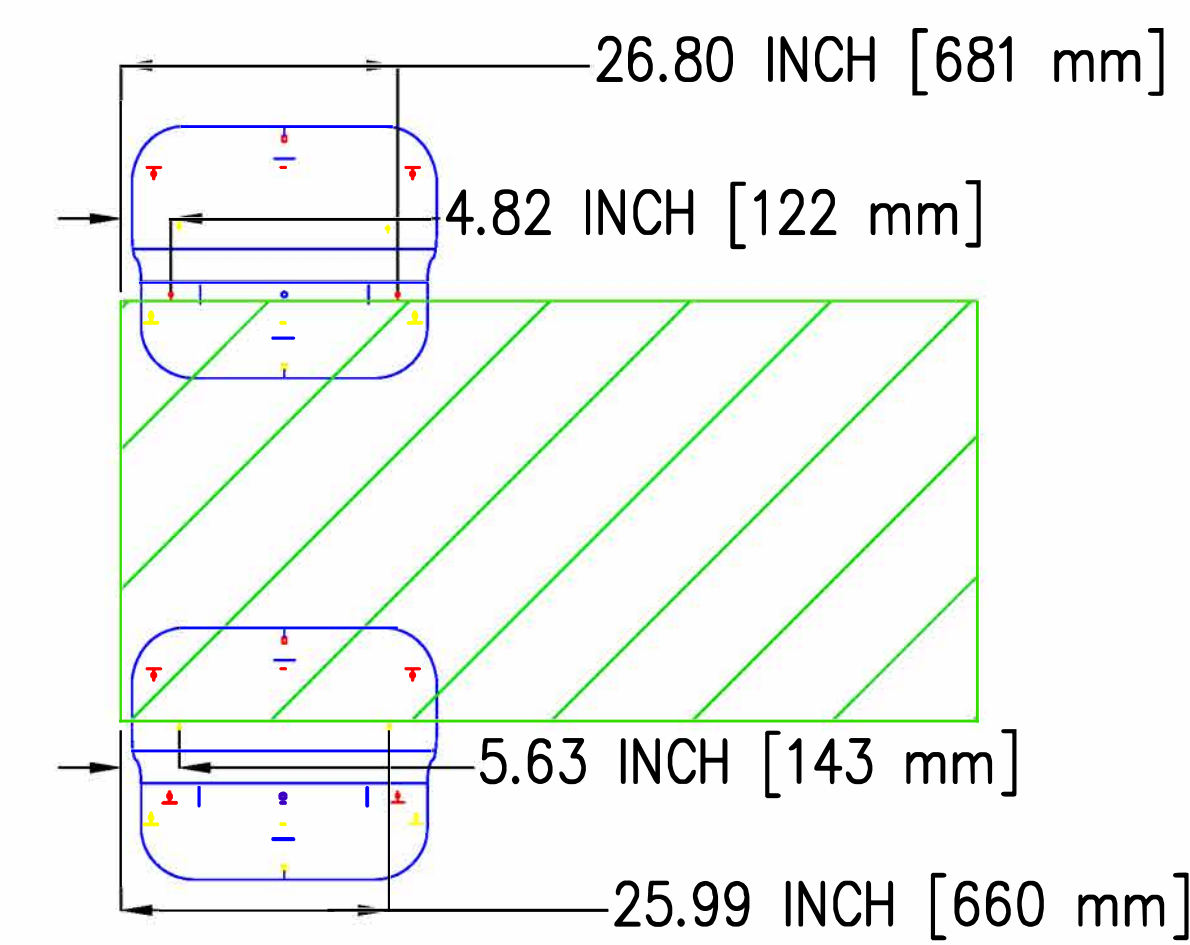
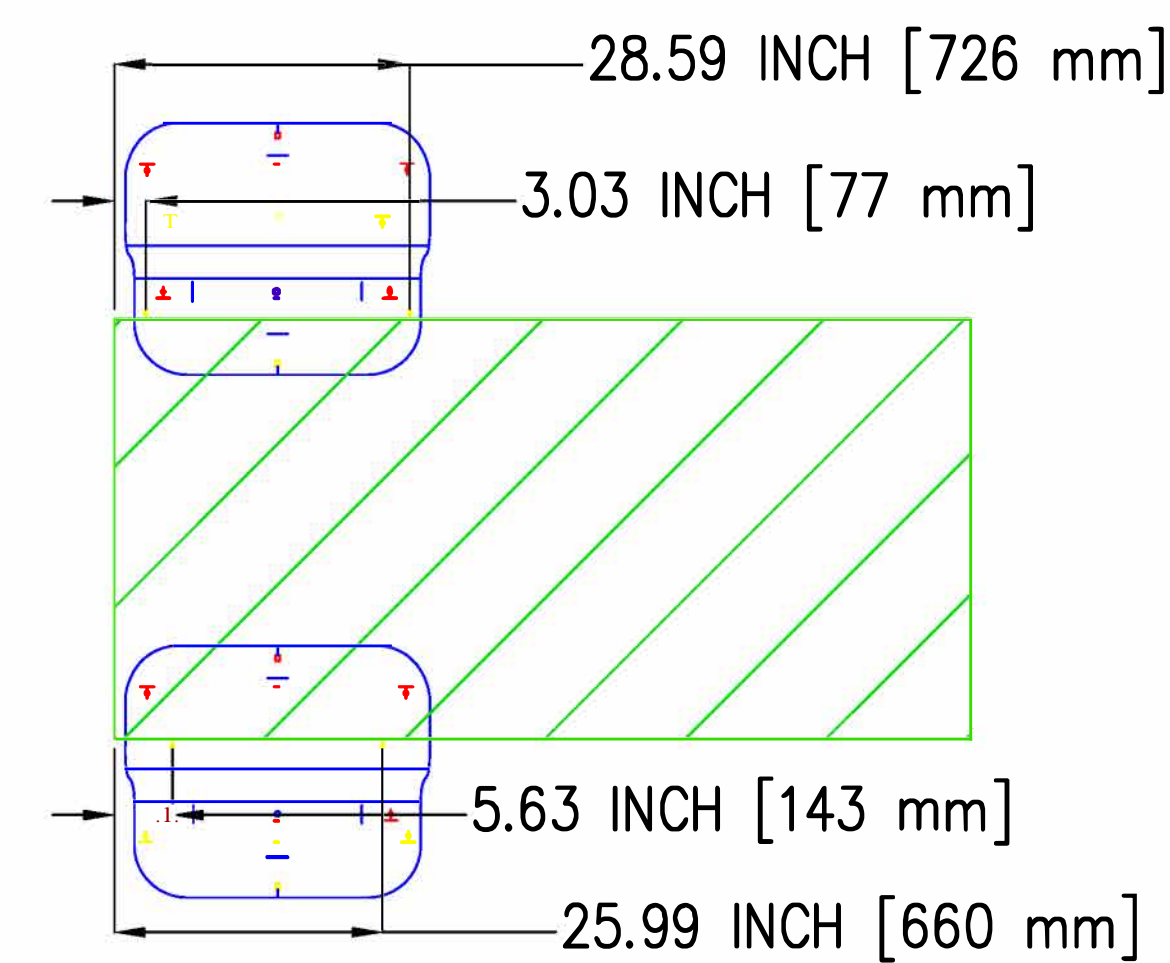
FR510-6 (6° PANEL TILT)

FR510-10 (10° PANEL TILT)

Represents a Panel NOT on the East or West Edge of a row



Represents a Panel on the East or West Edge of a row (Symmetric)



Represents a Panel NOT on the East or West Edge of a row with additional ballast support

